

PORTABLE LINE BORING
MACHINES

SC2

from Ø 62 mm to Ø 600 mm (2,44" - 23,62")



The **Supercombinata SC2**, with its standard equipment, is suitable to perform line boring and internal and external overlay welding within a working range from **Ø 62 mm** to **Ø 600 mm** (also blind holes). It's suitable for drilling and tapping. By means of extra kits, it is suitable to perform external turning, facing of orthogonal planes and creation of circlips grooves, threading. With additional accessories, the Supercombinata can be adapted to many different needs of our customers.

TECHNICAL SPECIFICATIONS

DIAMETERS

Boring bar diameter:	ø 60 x 2200 mm
Line boring:	ø 62 - 600 mm
External turning:	Extra kit
Internal welding:	ø 42 - 600 mm
External welding:	ø 42 - 400 mm
Drilling:	Optional accessories
Tapping:	Optional accessories
Threading:	Extra kit
Facing of orthogonal planes:	Extra kit

ROTATION MOTOR

AC motor:	Single phase
Power at rated speed:	1800 W
Gearbox:	4-speed
Output torque at the bar:	Up to 520 Nm with 65 rpm

FEED MOTOR

Gear motor:	DC
Power at rated speed:	90 W
Max. speed:	11 rpm
Feed system:	Electromechanical
Feed:	Manual/Automatic

WELDING TECHNOLOGY

Spiral:	Continuous with variable step
Welding machine:	Compatible with MIG/MAG welder with EURO connector

LONGITUDINAL STROKE

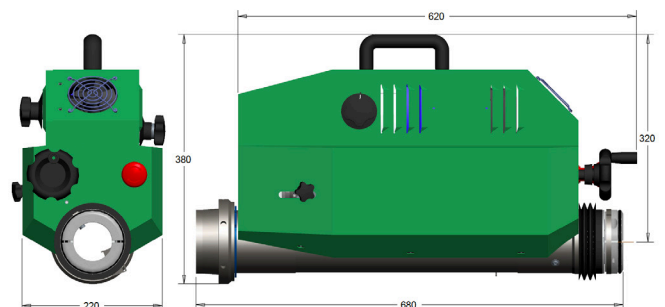
Unlimited:	With 350 mm pitch
------------	-------------------

ELECTRONIC CONTROL PANEL

Voltage:	230 V (50 Hz)
Main switch:	Available
Emergency switch:	Available
Inverter feed:	RH/LH
Inverter rotation:	CW/CCW
Speed regulator :	Rotation/Feed
Electrical absorption:	2000 W
Control panel 110/120 V:	Upon request
Digital control panel:	Upon request

DIMENSIONS

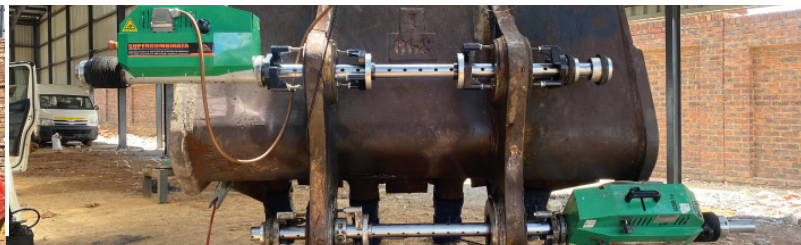
Length:	680 mm
Width:	240 mm
Height:	380 mm
Weight central unit:	36 kg



STANDARD EQUIPMENT

QTY 1	MAIN UNIT
QTY 1	BORING MACHINE STAND
QTY 1	ELECTRONIC CONTROL PANEL
QTY 1	CONTROL PANEL HOLDER
QTY 1	CABLE CONTROL PANEL/MACHINE
QTY 1	POWER CABLE
QTY 1	BORING BAR Ø 60X2200 MM
QTY 1	BORING BAR EXTENSION 520 MM
QTY 2	PIVOT
QTY 1	TOOL HOLDER FOR BORING D. 120-250 MM
QTY 1	TOOL HOLDER FOR BORING D. 250-600 MM
QTY 1	TOOL HOLDER LH Ø 12X50 MM
QTY 1	TOOL HOLDER LH Ø 12X60 MM
QTY 1	SPECIAL TOOL HOLDER LH Ø 12X60 MM
QTY 1	TOOL HOLDER LH Ø 12X80 MM
QTY 1	TOOL HOLDER RH Ø 12X100 MM
QTY 1	BOX WITH 10 CUTTING INSERTS
QTY 1	ADJUSTING PLUG FOR TOOL HOLDER
QTY 2	MAIN BAR SUPPORT
QTY 2	ADDITIONAL SUPPORT
QTY 18	BRACKET

QTY 4	FLANGES SUPPORT D. 250-600 MM
QTY 1	TELESCOPIC SHAFT FOR WELDING
QTY 1	REDUCTION BUSHING DRAWING TORCH
QTY 1	REDUCTION BUSHING LOCKING TORCH
QTY 5	DIFFUSER EXTENSION 35 MM
QTY 3	DIFFUSER EXTENSION 100 MM
QTY 4	SHORT GAS NOZZLE
QTY 4	LONG GAS NOZZLE
QTY 5	SHORT CONTACT TIP Ø 0,8 MM WIRE
QTY 5	LONG CONTACT TIP Ø 0,8 MM WIRE
QTY 1	O-RING FOR WELDING SHAFT 100X5 MM
QTY 1	TERMINAL LANCE FOR EXTERNAL WELDING
QTY 1	CENTRING SYSTEM D. 250-600 MM
QTY 1	CENTRING SYSTEM FOR THROUGH HOLES
QTY 1	CENTRING SYSTEM FOR BLIND HOLES
QTY 1	TELESCOPIC GAUGE UP TO Ø 600 MM
QTY 1	DIAL GAUGE
QTY 1	DIAL GAUGE SUPPORT
QTY 1	SET OF WRENCHES
QTY 1	SCREWS AND BOLTS



• EXTRA KITS

BORING REDUCTION

KEP00594	Ø 22 - 44 mm (0,87" - 1,73")
KEP00593	Ø 32 - 70 mm (1,26" - 2,76")
KEP00688	Ø 42 - 160 mm (1,65" - 6,30")
KEP00687	for jobs with KE500186/KE500200

FACING

KE500186*	Ø 48 - 255 mm (1,89" - 10,04")
KE500200*	Ø 56 - 400 mm (2,20" - 15,75")
KE500363	Ø 228 - 500 mm (8,98" - 19,68")

*SC2 / SC2 Compact / SC3 compatible by using KEP00687

INTERNAL THREADING

KFL00927	Ø 120 - 350 mm (4,72" - 13,78")
----------	---------------------------------

EXTERNAL TURNING

KEL00202	Ø 100 - 200 mm - D. 200 mm (3,94" - 7,87")
KEL00203	Ø 150 - 300 mm - D. 300 mm (3,94" - 11,81")

BIG DIAMETERS

KED00360	Ø 600 - 800 mm (23,62" - 31,50")
----------	----------------------------------

• ACCESSORIES

AE030025	BORING BAR Ø 60X1100 MM
AE001027	BORING BAR Ø 60X1500 MM
AE003014	BORING BAR Ø 60X3000 MM
AE030026	TOOL HOLDER BAR Ø 60X2200 MM WITH DOUBLE TAPER
AE003015	TOOL HOLDER BAR Ø 60X3000 MM WITH DOUBLE TAPER
AE000443	MORSE TAPER ATTACHMENT 4 MM
AE000442	INTERNAL JOINT FOR BORING BAR Ø 60 MM
AE000441	EXTERNAL JOINT FOR BORING BAR Ø 60 MM
GC35SC	INTERNAL SUPPORT D. 200-300 MM
GC39SC	SET OF 2 CENTRING CONES D. 135-225 MM
SG00127	TERMINAL LANCE D. 30-50 MM
COT90201	LONG CONTACT TIP Ø 1,0 MM WIRE
COT90202	SHORT CONTACT TIP Ø 1,0 MM WIRE



Elsa Srl
Località La Petrizia SS 106
88050 Sellia Marina (CZ) - Italia
Tel: (+39) 0961 962854
Fax: (+39) 0961 968716
info@elsasrl.com

www.elsasrl.com

EN

SUPERCOMBINATA SC2