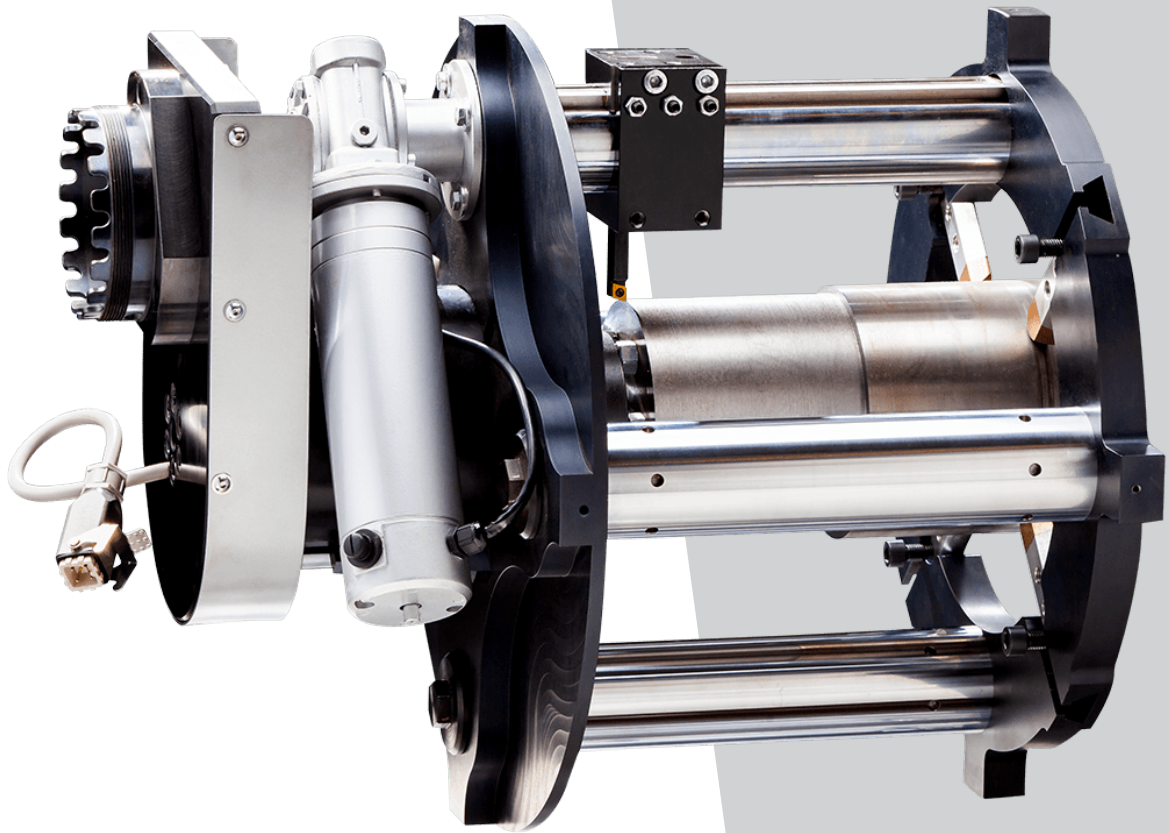


KIT  
**EXTERNAL  
TURNING**

from  $\varnothing$  100 mm to  $\varnothing$  300 mm (3,94" - 11,81")

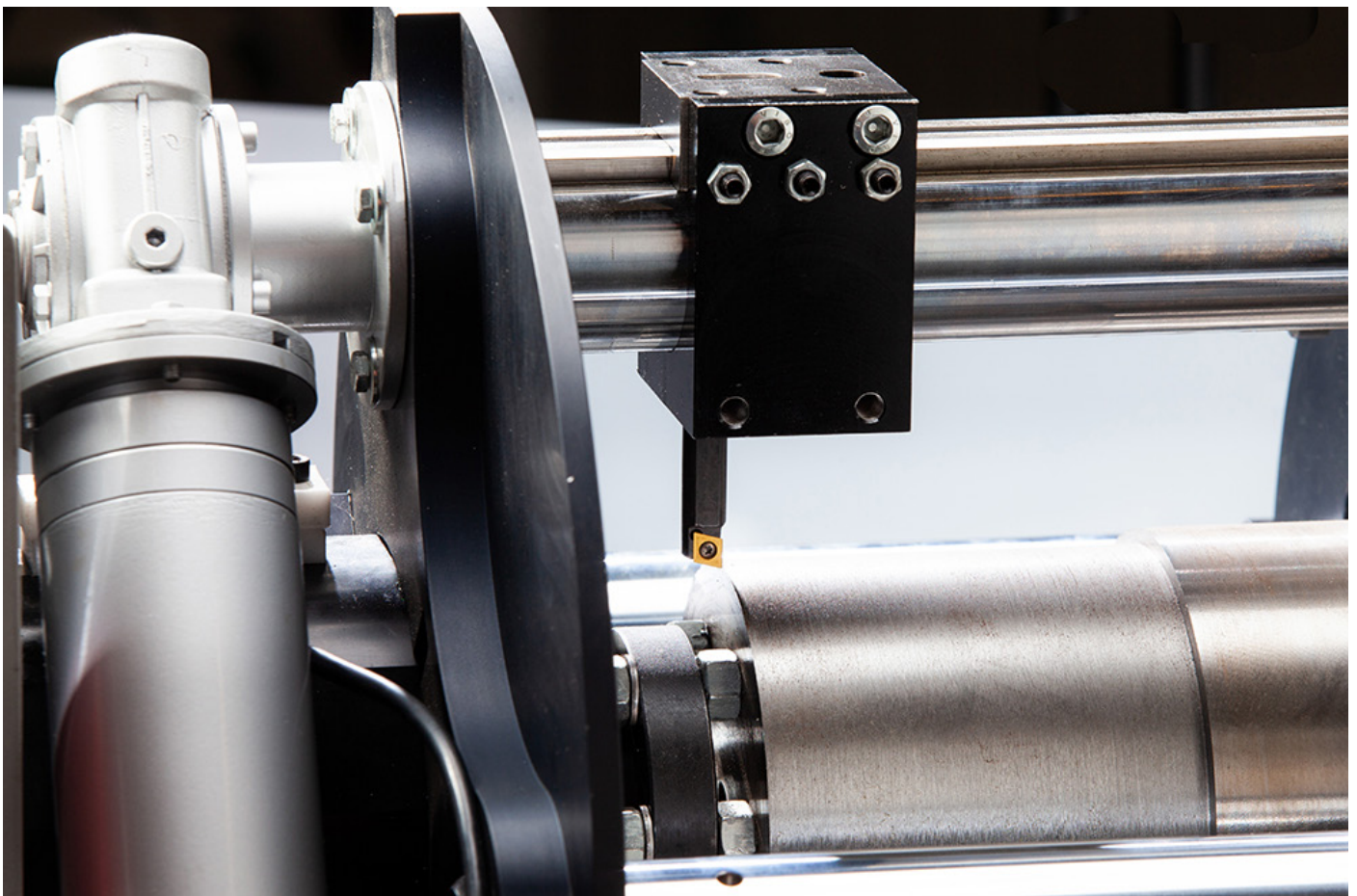


# EXTERNAL TURNING

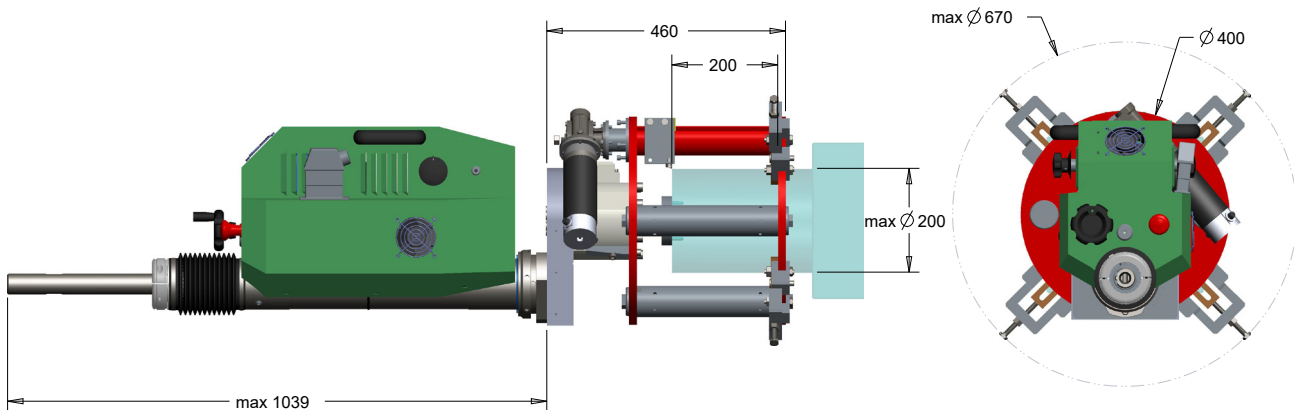
The kit has been designed to give great versatility of use to the portable boring machines of the **Supercombinata** series, allowing to perform cylindrical turning and overlay welding from **Ø 100 to 300 mm**.

## MODELS

KEL00202	BASIC/ EASY / EASY Compact / SC1 / SC2 / SC2 Compact / SC3	Ø 100 - 200 mm - P. 200 mm (3,94" - 7,88")
KEL00203	EASY Compact / SC1 / SC2 / SC2 Compact / SC3	Ø 150 - 300 mm - P. 300 mm (5,90" - 11,81")



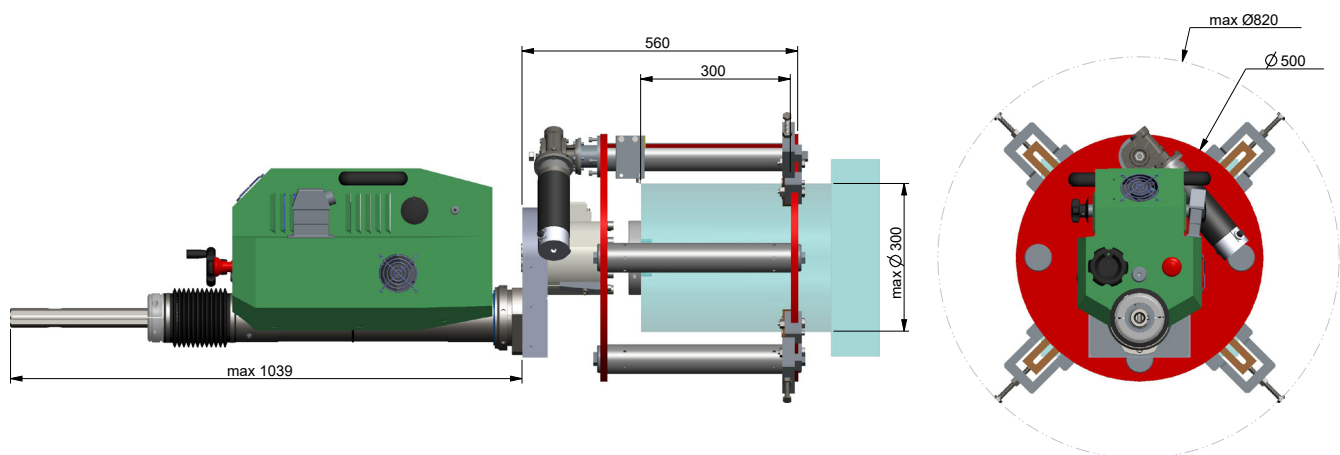
## KEL00202



Working range

d. min= 100 mm \ d. max= 200 mm \ Stroke= 200 mm

## KEL00203



Working range

d. min= 150 mm \ d. max= 300 mm \ Stroke= 300 mm



Elsa Srl  
Località La Petrizia SS 106  
88050 Sellia Marina (CZ) - Italia  
Tel: (+39) 0961 962854  
Fax: (+39) 0961 968716  
info@elsasrl.com

[www.elsasrl.com](http://www.elsasrl.com)

EN

EXTERNAL TURNING\_R4