

PORTABLE LINE BORING  
MACHINES

# SC3

from  $\varnothing$  62 mm to  $\varnothing$  800 mm (2,44" - 31,50")



The **Supercombinata SC3**, with its standard equipment, is suitable to perform line boring and internal and external overlay welding within a working range from **Ø 62 mm to Ø 800 mm** (also blind holes). It's suitable for drilling and tapping. By means of extra kits, it is suitable to perform external turning, facing of orthogonal planes and creation of circlips grooves, threading. With additional accessories, the Supercombinata can be adapted to many different needs of our customers.

## TECHNICAL SPECIFICATIONS

### DIAMETERS

Boring bar diameter:	ø 60 x 2200 mm
Line boring:	ø 62 - 800 mm
External turning:	Extra kit
Internal welding:	ø 42 - 800 mm
External welding:	ø 42 - 600 mm
Drilling:	Optional accessories
Tapping:	Optional accessories
Threading:	Extra kit
Facing of orthogonal planes:	Extra kit

### ROTATION MOTOR

AC motor:	Single phase
Power at rated speed:	2300 W
Output torque at the bar:	902 Nm with 55 rpm
1° speed:	max 55 rpm (420 Nm)
2° speed:	max 85 rpm (235 Nm)
3° speed:	max 240 rpm (85 Nm)
4° speed:	max 375 rpm (55 Nm)

### FEED MOTOR

Gear motor:	DC
Power at rated speed:	90 W
Max. speed:	11 rpm
Feed system:	Electromechanical
Feed:	Manual/Automatic

### WELDING TECHNOLOGY

Spiral:	Continuous with variable step
Welding machine:	Compatible with MIG/MAG welder with EURO connector

### LONGITUDINAL STROKE

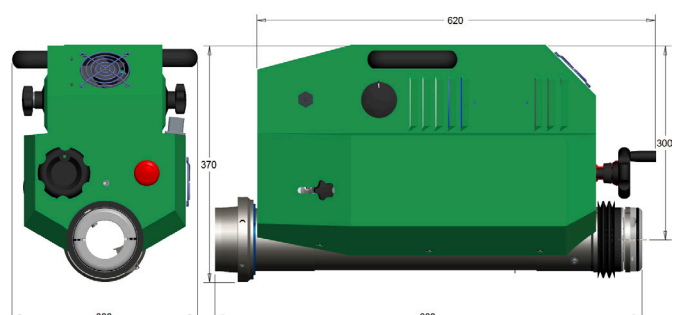
Unlimited:	With 350 mm pitch
------------	-------------------

### ELECTRONIC CONTROL PANEL

Voltage:	230 V (50 Hz)
Main switch:	Available
Emergency switch:	Available
Inverter feed:	RH/LH
Inverter rotation:	CW/ CCW
Speed regulator:	Rotation/Feed
Electrical absorption:	2300 W
Control panel 110/120 V:	Upon request
Digital control panel:	Upon request

### DIMENSIONS

Length:	680 mm
Width:	300 mm
Height:	390 mm
Weight central unit:	39 kg



## STANDARD EQUIPMENT

QTY 1	MAIN UNIT
QTY 1	BORING MACHINE STAND
QTY 1	ELECTRONIC CONTROL PANEL
QTY 1	CONTROL PANEL HOLDER
QTY 1	CABLE CONTROL PANEL/MACHINE
QTY 1	POWER CABLE
QTY 1	<b>BORING BAR Ø 60X2200 MM</b>
QTY 1	BORING BAR EXTENSION 520 MM
QTY 2	PIVOT
QTY 1	TOOL HOLDER FOR BORING D. 120-250 MM
QTY 1	TOOL HOLDER FOR BORING D. 250-800 MM
QTY 1	TOOL HOLDER LH Ø 12X50 MM
QTY 1	SPECIAL TOOL HOLDER LH Ø 12X60 MM
QTY 1	TOOL HOLDER LH Ø 12X60 MM
QTY 1	TOOL HOLDER LH Ø 12X80 MM
QTY 1	TOOL HOLDER RH Ø 12X100 MM
QTY 1	BOX WITH 10 CUTTING INSERTS
QTY 1	ADJUSTING PLUG FOR TOOL HOLDER
QTY 2	<b>MAIN BAR SUPPORT</b>
QTY 2	ADDITIONAL SUPPORT
QTY 18	BRACKET FOR FLANGES 200 MM

QTY 18	BRACKET FOR FLANGES 275 MM
QTY 4	FLANGES SUPPORT D. 250-800 MM
QTY 1	<b>TELESCOPIC SHAFT FOR WELDING</b>
QTY 1	REDUCTION BUSHING DRAWING TORCH
QTY 1	REDUCTION BUSHING LOCKING TORCH
QTY 5	DIFFUSOR EXTENSION 35 MM
QTY 4	DIFFUSOR EXTENSION 100 MM
QTY 4	SHORT GAS NOZZLE
QTY 4	LONG GAS NOZZLE
QTY 5	SHORT CONTACT TIP Ø 0,8 MM WIRE
QTY 5	LONG CONTACT TIP Ø 0,8 MM WIRE
QTY 1	O-RING FOR WELDING SHAFT 100X5 MM
QTY 1	TERMINAL LANCE FOR EXTERNAL WELDING
QTY 1	<b>CENTRING SYSTEM FOR THROUGH HOLES D. 250-800 MM</b>
QTY 1	CENTRING SYSTEM FOR THROUGH HOLES
QTY 1	CENTRING SYSTEM FOR BLIND HOLES
QTY 1	<b>TELESCOPIC GAUGE UP TO Ø 800 M</b>
QTY 1	DIAL GAUGE
QTY 1	DIAL GAUGE SUPPORT
QTY 1	SET OF WRENCHES
QTY 1	SCREWS AND BOLTS



## • EXTRA KITS

### BORING REDUCTION

KEP00594	Ø 22 - 44 mm (0,87" - 1,73")
KEP00593	Ø 32 - 70 mm (1,26" - 2,76")
KEP00688	Ø 42 - 160 mm (1,65" - 6,30")
KEP00687	for jobs with KES00186/KES00200

### FACING

KES00186*	Ø 48 - 255 mm (1,89" - 10,04")
KES00200*	Ø 56 - 400 mm (2,20" - 15,75")
KES00363	Ø 228 - 500 mm (8,98" - 19,68")
KES00364	Ø 376 - 800 mm (14,80" - 31,50")

\*SC2 / SC2 Compact / SC3 compatible by using KEP00687

### INTERNAL THREADING

KFL00927	Ø 120 - 350 mm (4,72" - 13,78")
----------	---------------------------------

### EXTERNAL TURNING

KEL00202	Ø 100 - 200 mm - D. 200 mm (3,94" - 7,87")
KEL00203	Ø 150 - 300 mm - D. 300 mm (5,90" - 11,81")

### BIG DIAMETERS

KED00366	Ø 800 - 1200 mm (31,50" - 47,24")
----------	-----------------------------------

## • ACCESSORIES

AE001027	BORING BAR Ø 60X1500 MM
AE003014	BORING BAR Ø 60X3000 MM
AE030025	BORING BAR Ø 60X1100 MM
AE030026	TOOL HOLDER BAR Ø 60X2200 MM WITH DOUBLE TAPER
AE003015	TOOL HOLDER BAR Ø 60X3000 MM WITH DOUBLE TAPER
AE000443	MORSE TAPER ATTACHMENT 4 MM
AE000441	EXTERNAL JOINT FOR BORING BAR Ø 60 MM
AE000442	INTERNAL JOINT FOR BORING BAR Ø 60 MM
GC355C	INTERNAL SUPPORT D. 200-300 MM
GC395C	SET OF 2 CENTRING CONES D. 135-225 MM
SG00127	TERMINAL LANCE D. 30-50 MM
COT90201	LONG CONTACT TIP Ø 1,0 MM WIRE
COT90202	SHORT CONTACT TIP Ø 1,0 MM WIRE



Elsa Srl  
Località La Petrizia SS 106  
88050 Sellia Marina (CZ) - Italia  
Tel: (+39) 0961 962854  
Fax: (+39) 0961 968716  
info@elsasrl.com

[www.elsasrl.com](http://www.elsasrl.com)

EN

SUPERCOMBINATA SC3