

PORTABLE LINE BORING
MACHINES

EASY Compact

from \emptyset 42 mm to \emptyset 250 mm (1,65" - 9,84")



EASY Compact



The **Supercombinata EASY Compact**, thanks to its standard equipment, is suitable to perform internal line boring and internal overlay welding within a working range from **Ø 42 mm** to **Ø 250 mm** in very small spaces. By means of extra kits, it is suitable to perform external turning, facing of orthogonal planes and creation of circlips grooves. With additional accessories, the Supercombinata can be adapted to many different needs of our customers.

TECHNICAL SPECIFICATIONS

DIAMETERS

Boring bar diameter:	Ø 40 x 2200 mm
Line boring:	Ø 42 – 250 mm
External turning:	Extra kit
Internal welding:	Ø 42 – 250 mm
Facing of orthogonal planes:	Extra kit

ROTATION MOTOR

AC motor:	Single phase
Power at rated speed:	1800 W
Output torque at the bar:	290 Nm with 120 rpm
1° speed:	max 100 rpm (170 Nm)
2° speed:	max 340 rpm (50 Nm)

FEED MOTOR

Gear motor:	DC
Power at rated speed:	90 W
Max Speed:	11 rpm
Feed system:	Electromechanical
Feed:	Manual/Automatic

WELDING TECHNOLOGY

Spiral:	Continuous with variable step
Welding machine:	Compatible with MIG/MAG wire with EURO connector

LONGITUDINAL STROKE

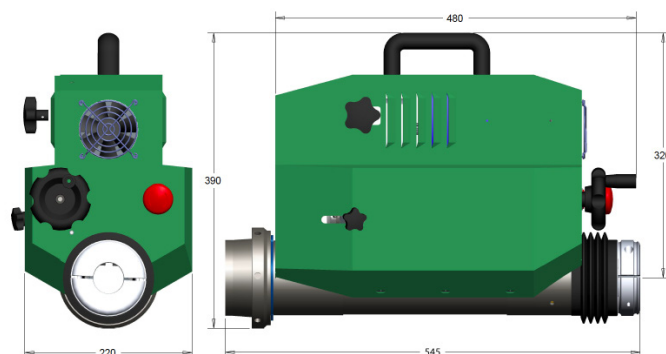
Unlimited:	With 250 mm pitch
------------	-------------------

ELECTRONIC CONTROL PANEL

Voltage:	230 V (50Hz)
Main switch:	Available
Emergency switch:	Available
Inverter feed:	RH/LH
Inverter rotation:	CW/CCW
Speed regulator:	Rotation/Feed
Electrical absorption:	2000 W
Control panel 110/120 V:	Upon request

DIMENSIONS

Length:	545 mm
Width:	220 mm
Height:	380 mm
Weight central unit:	34 kg



STANDARD EQUIPMENT

QTY1	MAIN UNIT
QTY1	BORING MACHINE STAND
QTY1	ELECTRONICAL CONTROL PANEL
QTY1	CONTROL PANEL HOLDER
QTY1	CABLE CONTROL PANEL /MACHINE
QTY1	POWER CABLE
QTY1	BORING BAR Ø 40X2200 MM
QTY1	BORING BAR EXTENSION 420 MM
QTY1	PIVOT
QTY1	TOOL HOLDER FOR BORING D. 100-250 MM
QTY1	SPECIAL TOOL HOLDER LH Ø 12X40 MM
QTY1	TOOL HOLDER LH Ø 12X40 MM
QTY1	TOOL HOLDER LH Ø 12X60 MM
QTY1	TOOL HOLDER RIGHT RH Ø 12X100 MM
QTY1	BOX WITH 10 CUTTING INSERTS

QTY 2	MAIN BAR SUPPORT
QTY 2	ADDITIONAL SUPPORT
QTY 1	TELESCOPIC SHAFT FOR WELDING
QTY 5	DIFFUSOR EXTENSION 35 MM
QTY 4	SHORT GAS NOZZLE
QTY 4	LONG GAS NOZZLE
QTY 5	SHORT CONTACT TIP Ø 0.8 MM WIRE
QTY 5	LONG CONTACT TIP Ø 0.8 MM WIRE
QTY 1	O-RING FOR WELDING SHAFT 100X5 MM
QTY 1	CENTRING SYSTEM FOR THROUGH HOLES
QTY 1	TELESCOPIC GAUGE UP TO Ø 250 MM
QTY 1	DIAL GAUGE
QTY 1	DIAL GAUGE SUPPORT
QTY 1	SET OF WRENCHES
QTY 1	SCREWS AND BOLTS



• EXTRA KITS

BORING REDUCTION

KEP00187	Ø 22 - 44 mm (0,87" - 1,73")
KEP00188	Ø 32 - 70 mm (1,26" - 2,76")

FACING

KE500186	Ø 48 - 255 mm (1,89" - 10,04")
----------	--------------------------------

EXTERNAL TURNING

KEL00202	Ø 100 - 200 mm - D. 200 mm (3,94" - 7,88")
KEL00203	Ø 150 - 300 mm - D. 300 mm (5,90" - 11,81")

• ACCESSORIES

AE003017	BORING BAR Ø 40X3000 MM
AE000489	EXTERNAL JOINT FOR BORING BAR Ø 30 MM
AE000487	EXTERNAL JOINT FOR BORING BAR Ø 40 MM
AE000490	INTERNAL JOINT FOR BORING BAR Ø 40 MM
AE030015	CAM SYSTEM
GC375C	INTERNAL SUPPORT D. 200-300 MM
GC365C	SET OF 2 CENTRING CONES D. 60-105 MM
SG00127	TERMINAL LANCE D. 30-50 MM
COT90201	LONG CONTACT TIP Ø 1,0 MM WIRE
COT90202	SHORT CONTACT TIP Ø 1,0 MM WIRE



Elsa Srl
Località La Petrizia SS 106
88050 Sellia Marina (CZ) - Italia
Tel: (+39) 0961 962854
Fax: (+39) 0961 968716
info@elsasrl.com

www.elsasrl.com

EN

SUPERCOMBINATA
EASY COMPACT